



ST-5050i UNIVERSAL GOOSENECK MICROPHONE BASE

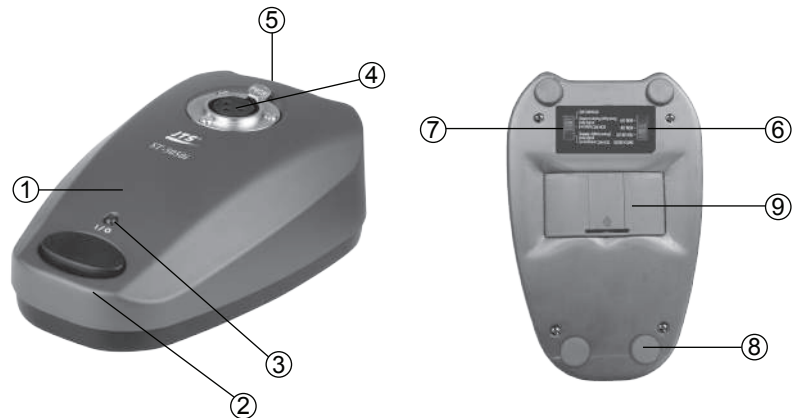
Thank you for choosing JTS ST-5050i Universal Gooseneck Microphone Base. In order to obtain the best efficiency, you are recommended to read this manual before using.

Feature

- The stylish metal case with quick mount socket
- Programmable switch can be set as Push On / Push Off, Push To Talk and Push To Mute.
- Special anti-slip pad ensures firm standing and less bounced noise from desk.
- Microphone selecting switch is designed for optimum miking effect.
- Available for all kinds of condenser and dynamic gooseneck microphones

Parts Identification

- ① Stand Base
- ② On / Off Switch
- ③ Power On/Off LED Indicator
- ④ Audio Input Socket (3P XLR, Female)
- ⑤ Audio Output Socket (3P XLR, Male)
- ⑥ Microphone Selecting Switch
- ⑦ Switching Mode Selector
- ⑧ Rubber Pad
- ⑨ Battery Compartment



Use Instruction

Installation

- (1) Plug the microphone onto the audio input socket.
- (2) Connect the audio output socket to a mixer or amplifier with an audio cable. (Figure 1)

Microphone Type

The stand base is available for both the condenser and dynamic gooseneck microphones. Switch to the correct position according to the microphone type. (Figure 2)

* Condenser Gooseneck Microphones:

For the condenser microphones, it can be powered by either phantom power 12V to 48V or battery power 9V.

* Dynamic Gooseneck Microphones:

While the dynamic microphone is applied, please insert the 9V battery in order to activate the On / Off Switch.

Note : Always power the ST-5050i by either phantom power 12V to 48V or battery power 9V in order to ensure all functions effective.



Figure 1

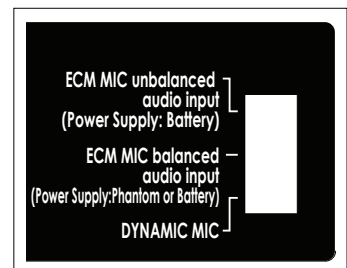


Figure 2

Switching Mode Selecting

There are three operating modes, which can be selected on the bottom of the stand base, Push On / Push Off, Momentary On and Momentary Off. (Figure 3)

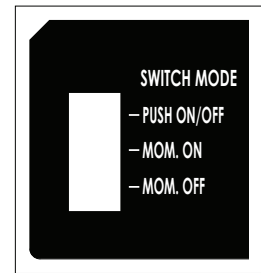


Figure 3

*** Push On / Push Off:**

Switch to “PUSH ON/OFF” mode. Press the On / Off Switch to talk and press again to mute.

*** Momentary On:**

Switch to “MOM. ON” mode. Microphone is ON only while the On / Off Switch is being pressed. (Push to Talk)

*** Momentary Off:**

Switch to “MOM. OFF” mode. Microphone is OFF only while the On / Off Switch is being pressed. (Push to Mute)

LED Indicator

LED indicator shows the On/Off status . When the LED lights up, the microphone is ON to talk and the power supply is normal.

Specification

Frequency Response..... 20 ~ 20,000Hz

Power Requirement..... Phantom power 12-48V or battery power 9V

Current Consumption -Stand-by 0.3mA

Current Consumption -Operating 5mA(BAL) , 0.3mA(UNBAL)

Switches..... Microphone selection: ECM MIC unbalanced input, ECM MIC balanced input,
Dynamic MIC input

Push control: on/off

Function selection: push on/off, momentary on, momentary off

Connector..... unbalanced and balanced audio input (XLR 3P Female)

unbalanced and balanced audio output (XLR 3P Male)

Net Weight..... 0.82kg

Dimension (mm)

